

□□□□ 1 ± 4 □□ □□□□□□ □□□□□□ □□□□□□  
□□□□□□ □□□□□ □□ □□□□□□ □□□□□  
□□□□□□□□ □□□□□ □□□□□ □□□□□ □□□□ □□□□□ □□□□□ □□□□□  
□□□□□□□□

IP54 - □□□□□□□ □□□□□ □□□□□□

□□□□□□□□□ □□□□□□ □□□□□□□ □□□□ □□□□□□  
□□□□□□□□ □□□□□□□ □□□□□ □□□ □□□□□ □□□□□□□□ □□□□□ □□□□□

**□□□□□ □□□□□□ □□□□□□:**

□□□□□□ □□□□□ XE-903:

510 :□□□□□□ □□□□ □□□nm ~ 530nm

□□□□ □□□: IP54

□□□□□□□ □□□□□: mm 3mm / 10m

30 ± ° 90 :□□□□□□ □□□□□ □□□ "

1 ± ° 4 :□□□□□□□ □□□□□□ □°

2 :□□□□□ □□MM / 10M.

□□ □□□ 50 □□□ □□□ □□ □ □□□ 40 :(□□□□□) □□□□□ □□□□□□□ receiver □□□□□□

□□□□ □□□□□□□□ □□□□□□□ :□□□□□□ □□□□□

□□□□□□ □□□□□□□ :□□□□□□ □□□□□

□□□□□□ □□□□ □□ □□ □□□□□ 6 :□□□□□□ □□□□□

□□□□□□ □□□□: II

□□□□□ □□□□ :□□□□□□ □□□□□□□

□□□□□ □□□□ 50 + - □□□□□ □□□□□ 10- :□□□□□□□ □□□□□ □□□□ □□□□□

□□□□□ □□□□ 70 + - □□□□□ □□□□□ 20- :□□□□□□□ □□□□□ □□□□ □□□□□

**□□□□□□□ □□□□□□□□ □□□□□ □□□□□□□□□:**

PWM: 1: 1

□□□□ □□□□ 10 :□□□□□□□ (PWM □□ □□□□ □□□□ □□□□ □□ □□□□ □ □□□□□□□ □□□□□□□□□□  
□□□□□□□ □□□□□□□ LR-6RG)

□□□□□ :□□□□□□□ LED □□□□□□□□ □□□□□□□

□□□□□□□□ □□□□: mm 1.5 □□□□□ 1/17 ±) □□□)

□□□□□ 4/5) □□ 20 :□□□□□□□□ □□□□□□□□□ □□□□□ □□□□□

□□□□□ 4/5) □□ 20 :□□□□□□□□ □□□□□□□□□□ □□□□□ □□□□□□□□

50 :□□□□□□ □□□□□□□M (200ft)

□□□□□ 70 :□□□□□□□□ □□□□□

□□□□□ 8 (□□□□□□ □□□□□ □□□□ □□□ □□□ □□) :□□□□□□□□ □□□□□□□□ □□□□□□

9 \* 1 :□□□□□□□ □□□□□V □□□□□ □□□□□□□□

50 + 000 °C 10- :0000000 00000 0000 0000 °C

70 + 000 °C 25- :0000000 00000 0000 0000 °C

0000000 (LxWxH): 140.5 0000 1.5 × 2.5 × 5.5) 00 35 × 00 60 × 00)

0000 143 :000000

● **PRODUCT PICTURES**

**XEAST®**









laser window •  
on-off key/pulse-function button •



• battery charge interface

1/4 thread interface •  
Battery compartment •  
lithium battery •







*Slower  
beeping  
tone  
signals*



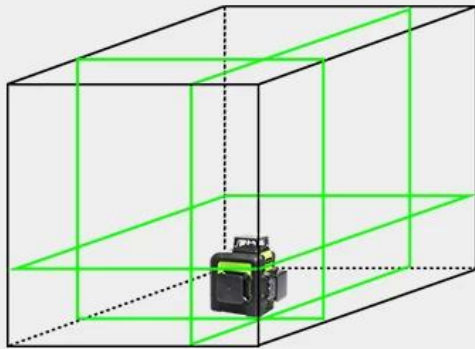
*Fast  
beeping  
tone  
signals*



*Beeping  
tone  
signals*



## self-leveling mode



Self-level Available



Within 4 Degree

$\leq \pm 4^\circ$



Pendulum Unlocked



Maintain The 90° Angles

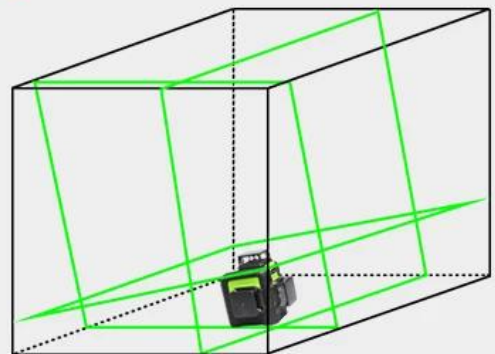


Blinks Every 3 Seconds



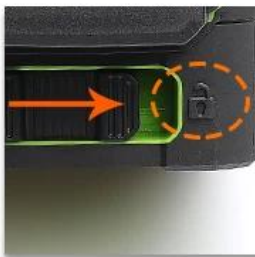
Pendulum Locked

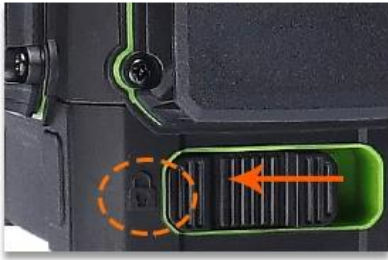
## manual mode



## POWER ON

Short press the power key or slide locking switch to turn the laser tool ON.





**OFF**

Lock the pendulum before short press the power button to turn the laser tool OFF.

1: After power on, short press the power switch once a time, the laser tool will project horizontal line, vertical line and cross line in turn.

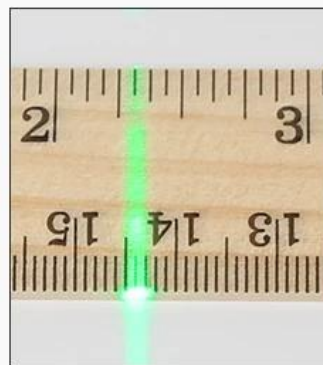
2: After power on, long press the power key, when the blue light is on, the pulse mode is on.



## GERMANY OSRAM GREEN LASER TECHNOLOGY



More brighter to ordinary green beam and red beam



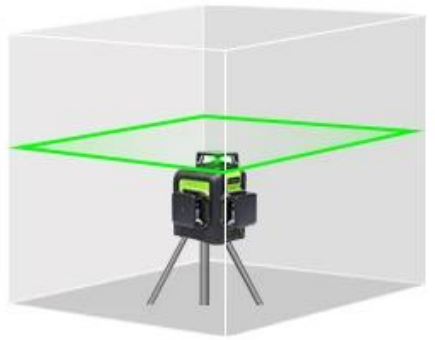
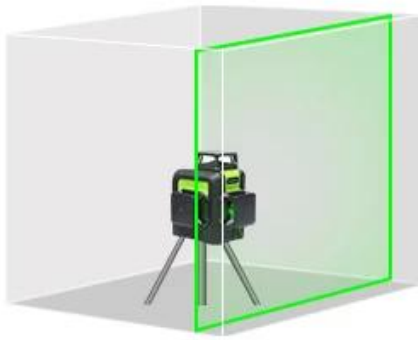
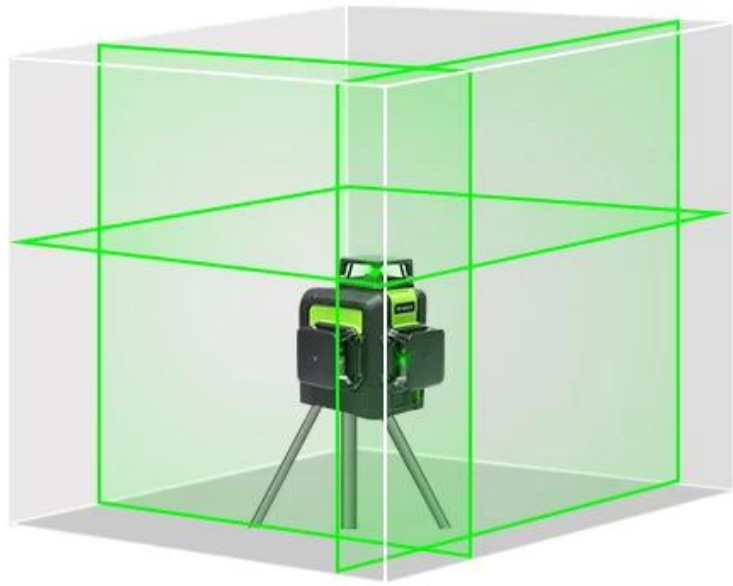
Germany osram green beam

ordinary green beam

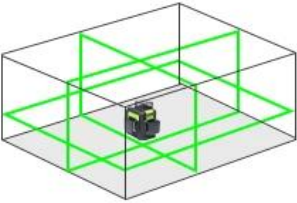
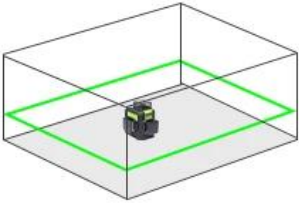
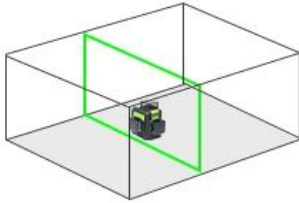
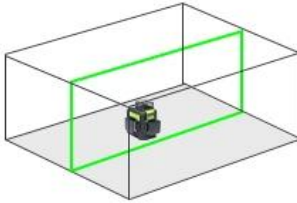
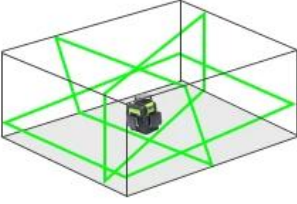
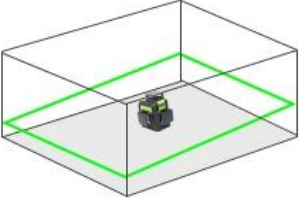
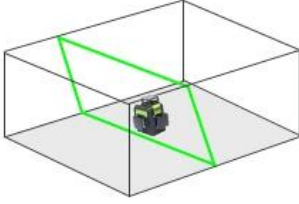
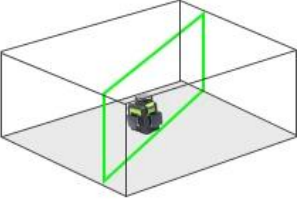
ordinary red beam

## VARIOUS KINDS OF FIXING METHOD





# Three line switching function

Horizontal and vertical lines	Horizontal	vertical lines	vertical lines
			
Horizontal and vertical lines	Horizontal	vertical lines	vertical lines
			



***Please turn on  
Pulse Mode of the  
Laser level  
before using  
the reciever***



● PACKAGE INCLUDE

**XEAST®**



## ● TERMS OF TRADE

- 1). باي بال ، موني جرام ، ويسترن يونيون. ، T / T ، L / C ، شروط الدفع: نحن نقبل .30% ودائع وغيرها 70% الرصيد قبل الشحن.
- 2). شروط الشحن:  
ذلك يعتمد على كمية طلب العملاء وطلباتكم الخاصة
- 3). سيتم فحص العناصر بعناية قبل الشحن ، وسوف نقوم بتحديث حالة التسليم في الوقت المناسب بعد إرسال البضاعة

## ● COMPANY INFORMATIONS



**SALES TEAM**



**WOKRSHOP**

