
● SPECIFICATION

XEAST®

符合IEC / EN60825-1 / 2014 <1mW
505-520nm
±3mm / 10m
±4°
25
50
7
AA
2
4×“AA”LR6
IP54
14°F~113°F -10°C~45°C
1/4"-20 5/8"-11

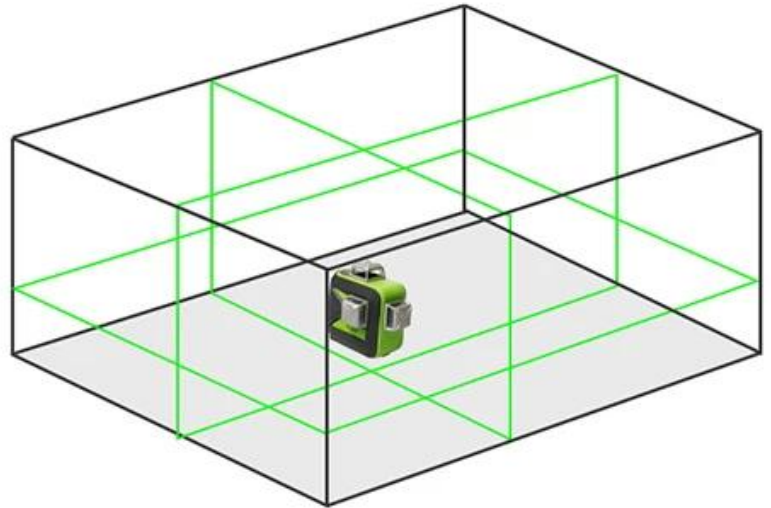
● PRODUCT PICTURES

XEAST®



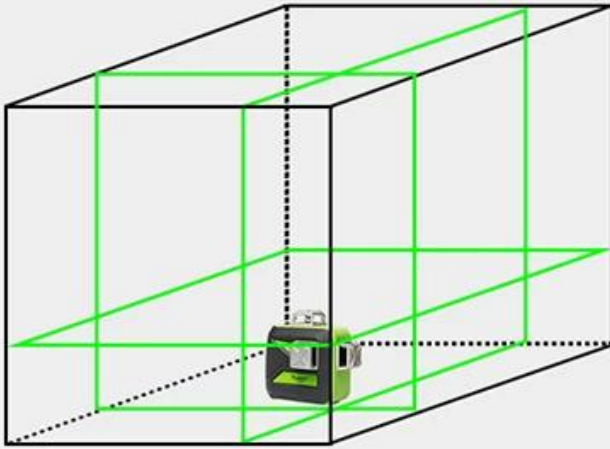


SWITCH LINE MODE



Horizontal Line	Vertical Line	Two Vertical Lines
A 3D perspective diagram of a rectangular box with a grey floor. A green laser level is positioned on the floor. It projects a single horizontal green line across the floor.	A 3D perspective diagram of a rectangular box with a grey floor. A green laser level is positioned on the floor. It projects a single vertical green line on the side wall.	A 3D perspective diagram of a rectangular box with a grey floor. A green laser level is positioned on the floor. It projects two vertical green lines on the side wall.

self-leveling mode



Maintain The 90° Angles



Blinks Every 3 Seconds



Pendulum Locked



Self-level Available

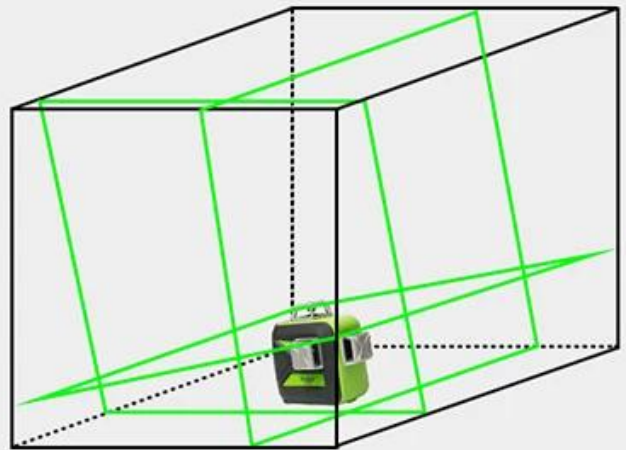


Within 4 Degree

$\leq \pm 4^\circ$



Pendulum Unlocked



manual mode

Inc. AA Battery Holder

✓ use with AA Battery



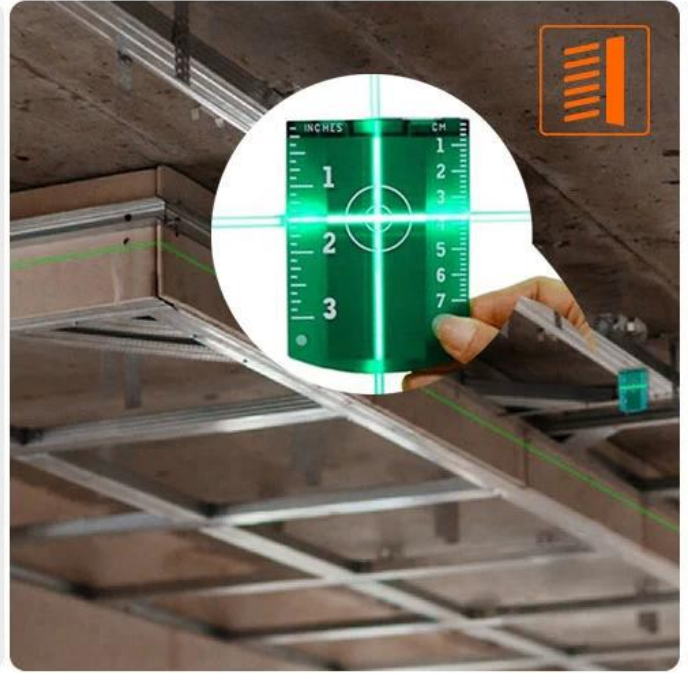
Inc. 2600mA Universal Li-ion Battery

✓ use with lithium battery

Inc. A Power Charger

✓ work when direct input charging







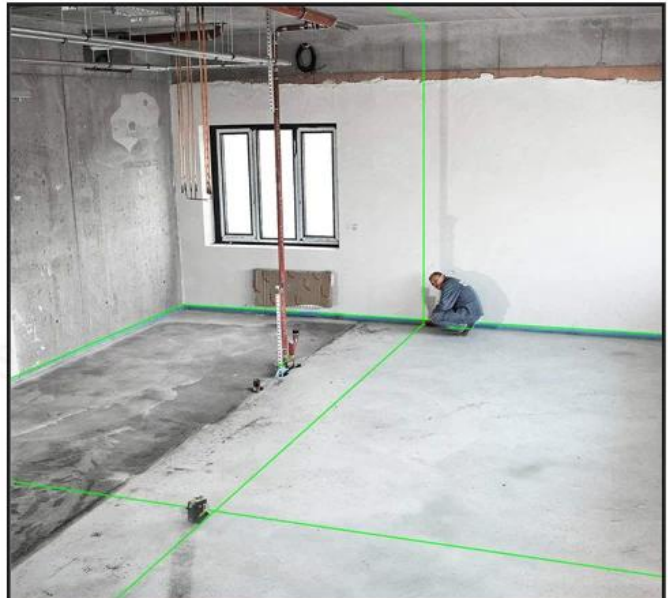
360° Horizontal Line



360° Vertical Line



Two 360° Vertical Lines



360° Horizontal and 360° Vertical Lines



● PACKAGE INCLUDE

XEAST[®]



● TERMS OF TRADE

1. Payment Methods: T / T / C / Paypal / MoneyGram / Western Union

2. Delivery Time: 30 days / 70 days

3. Shipping Method

4. Shipping Options: DHL / TNT / UPS / FEDEX / EMS / SPSR / 139

5. Other shipping options

● COMPANY INFORMATIONS



SALES TEAM



WOKRSHOP

