

● SPECIFICATION



Power consumption < 1mW  
Wavelength 505-520nm  
Beam diameter ±3mm / 10m  
Beam divergence ±4°  
Spot size 25m - 50m  
Beam diameter 7mm  
Beam diameter 2mm  
Battery 4x AA LR6  
IP rating IP54  
Operating temperature 14°F / 113°F / -10°C / 45°C  
Mounting 1/4" -20 and 5/8" -11

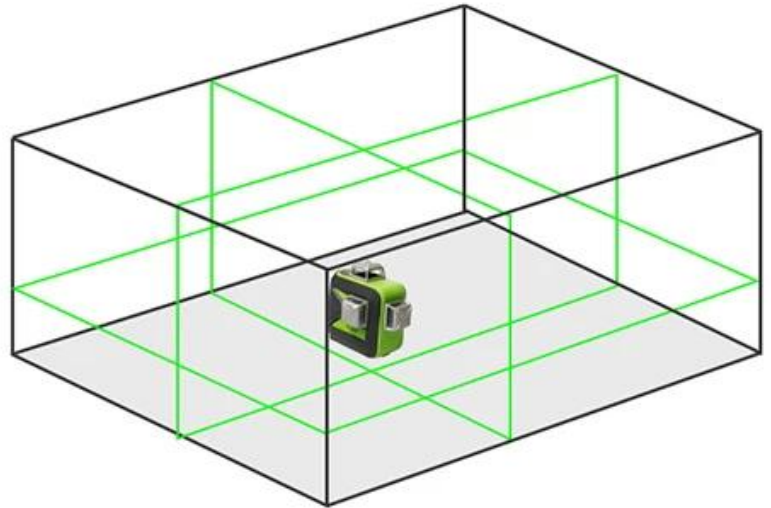
● PRODUCT PICTURES

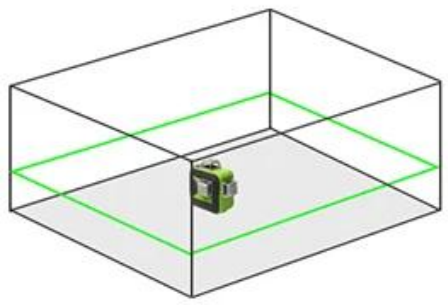
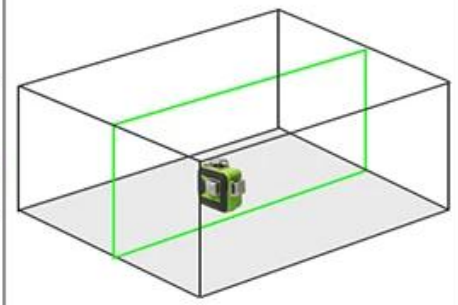
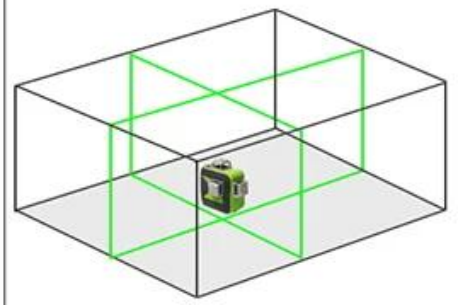




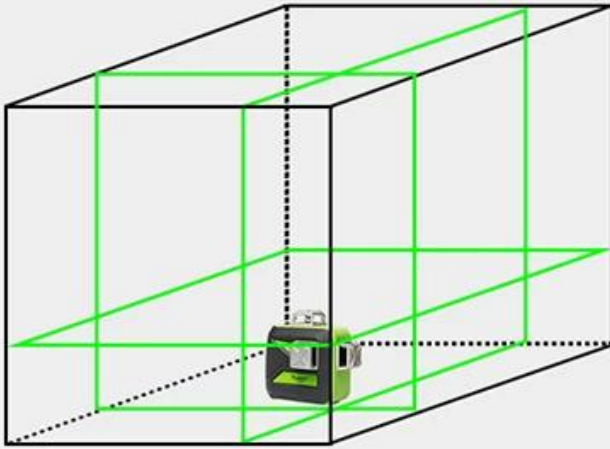


# SWITCH LINE MODE



Horizontal Line	Vertical Line	Two Vertical Lines
		

## self-leveling mode



Maintain The 90° Angles



Blinks Every 3 Seconds



Pendulum Locked



Self-level Available

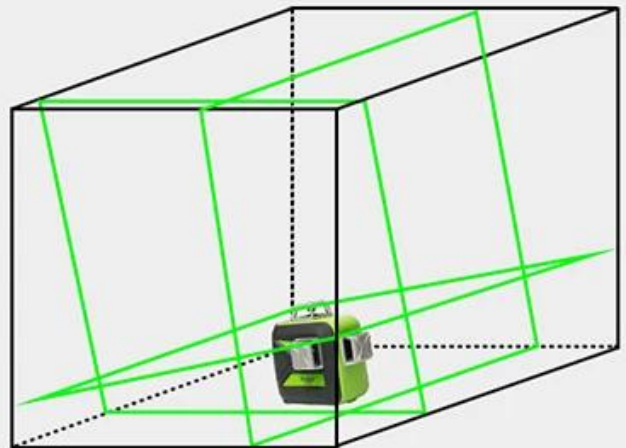


Within 4 Degree

$\leq \pm 4^\circ$



Pendulum Unlocked



## manual mode



## Inc. AA Battery Holder

✓ use with AA Battery



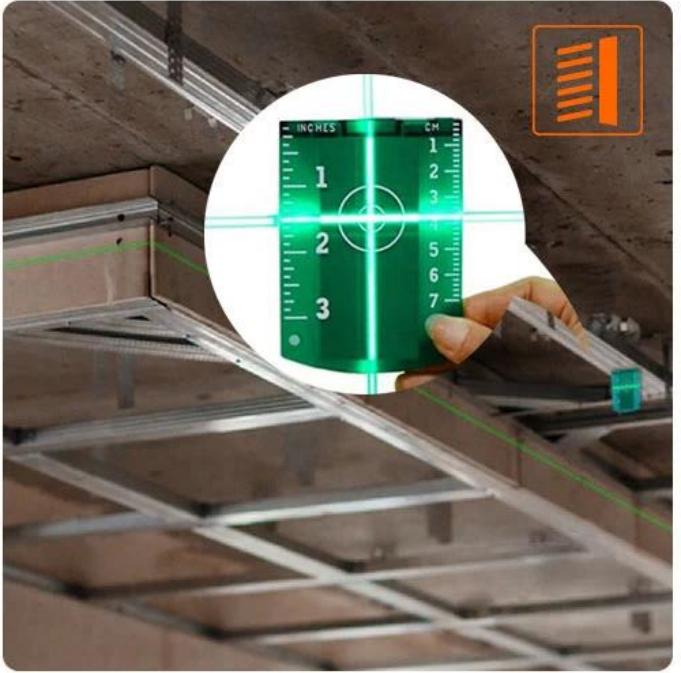
## Inc. 2600mA Universal Li-ion Battery

✓ use with lithium battery

## Inc. A Power Charger

✓ work when direct input charging







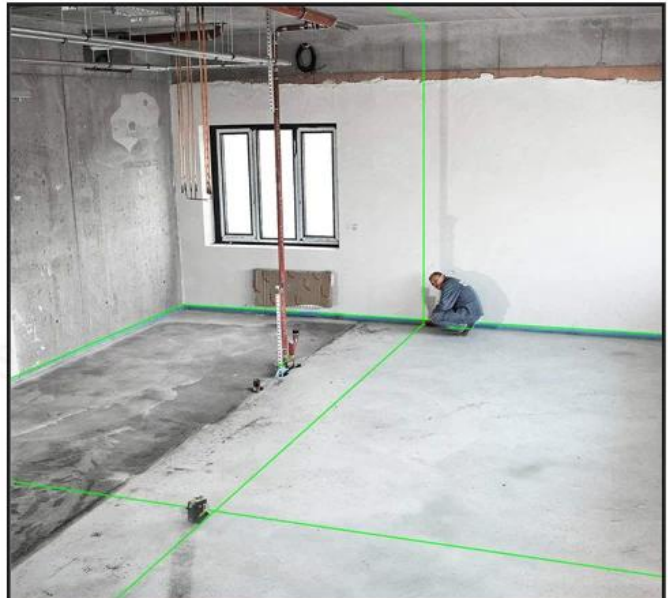
*360° Horizontal Line*



*360° Vertical Line*



*Two 360° Vertical Lines*



*360° Horizontal and 360° Vertical Lines*





● PACKAGE INCLUDE

**XEAST**<sup>®</sup>



**● TERMS OF TRADE**

1. 凡購買本公司之產品者，均須向本公司索取產品說明書及保修卡，請認明本公司之商標及產品型號，以便日後之維修及保養。

2. 凡購買本公司之產品者，均須向本公司索取產品說明書及保修卡，請認明本公司之商標及產品型號，以便日後之維修及保養。

3. 凡購買本公司之產品者，均須向本公司索取產品說明書及保修卡，請認明本公司之商標及產品型號，以便日後之維修及保養。

4. 凡購買本公司之產品者，均須向本公司索取產品說明書及保修卡，請認明本公司之商標及產品型號，以便日後之維修及保養。

**● COMPANY INFORMATIONS**





**SALES TEAM**



**WOKRSHOP**

