
● SPECIFICATION

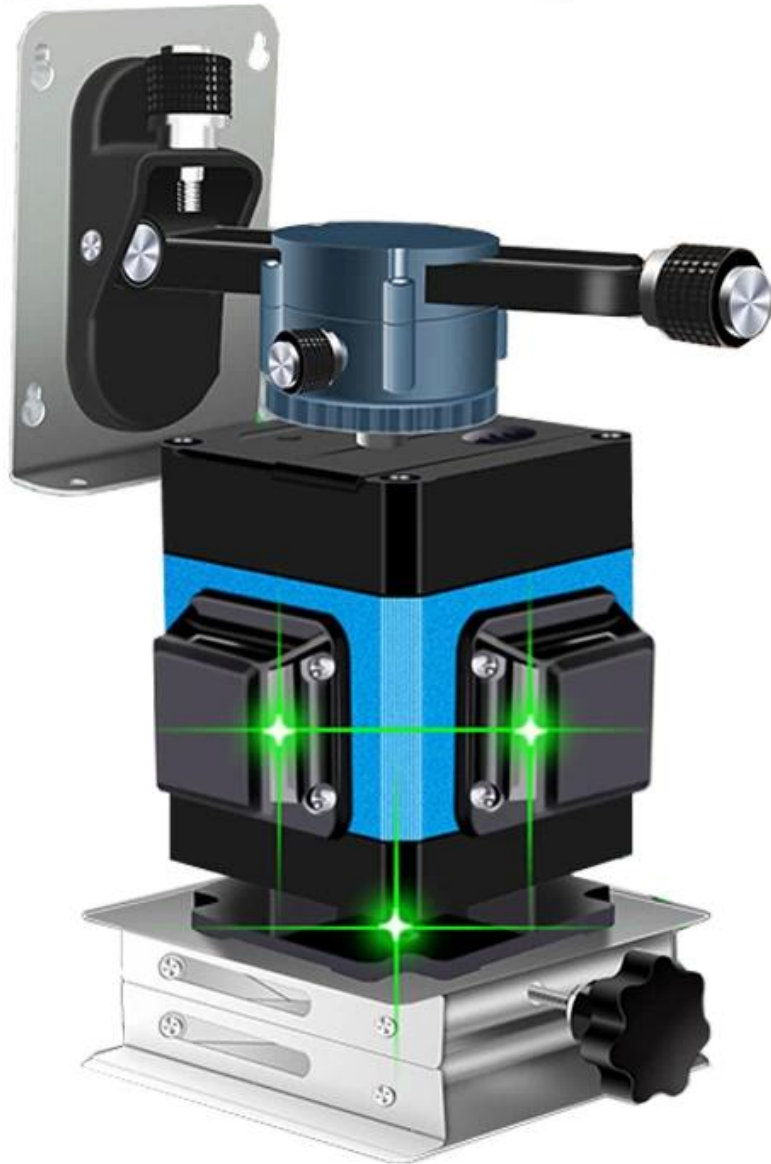
XEAST®

□□□□□□□□532nm
□□□□□□□±3mm / 10m
□□□□□□□□±3°
□□□□□□□□20□□□□
□□□18650□□□□□□
□□□□□7□□
□□□□□□□□II
□□□□□ □□

● PRODUCT PICTURES

XEAST®

 XEAST®





Vertical line button

Outdoor/Tilt function button

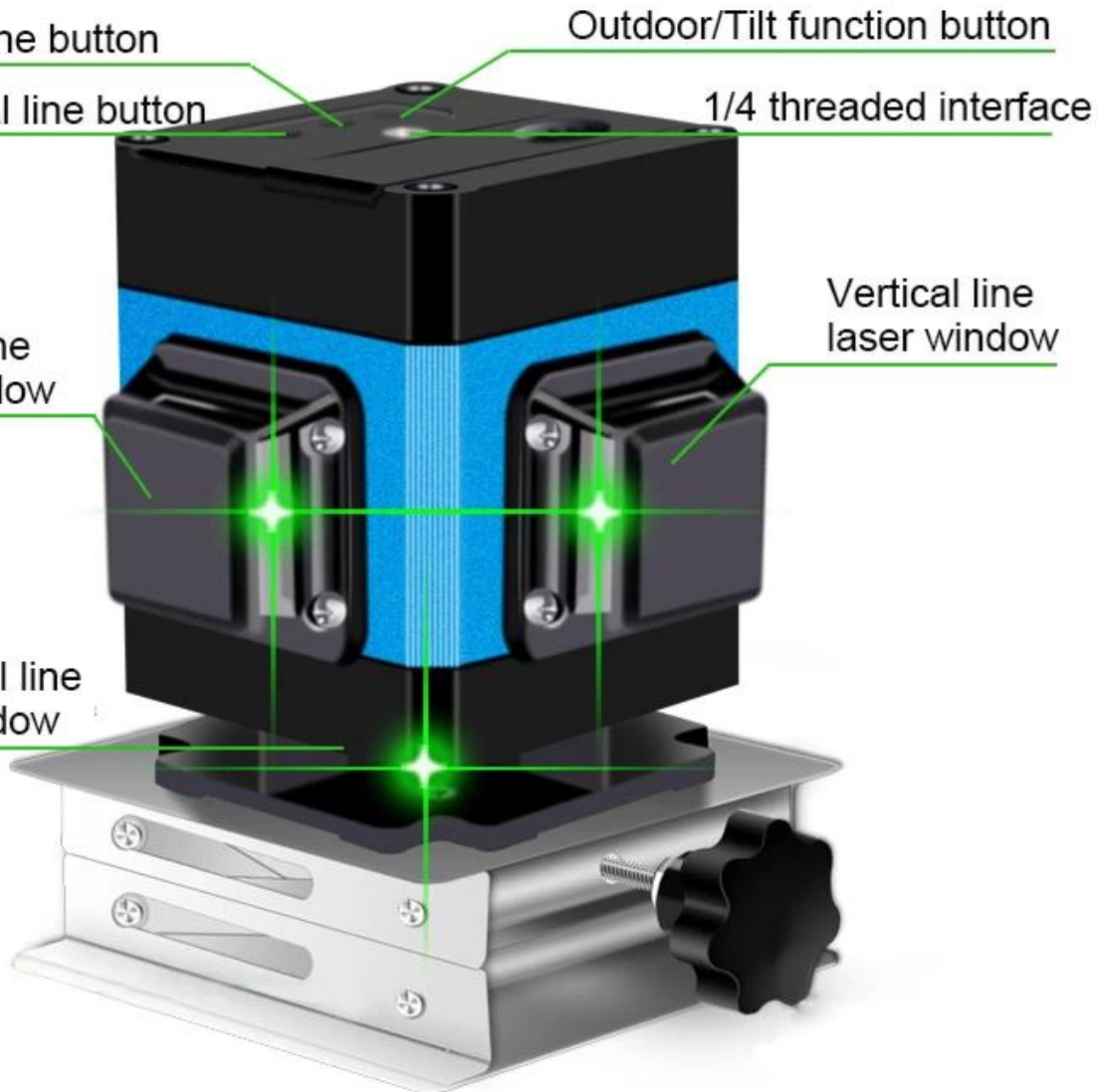
Horizontal line button

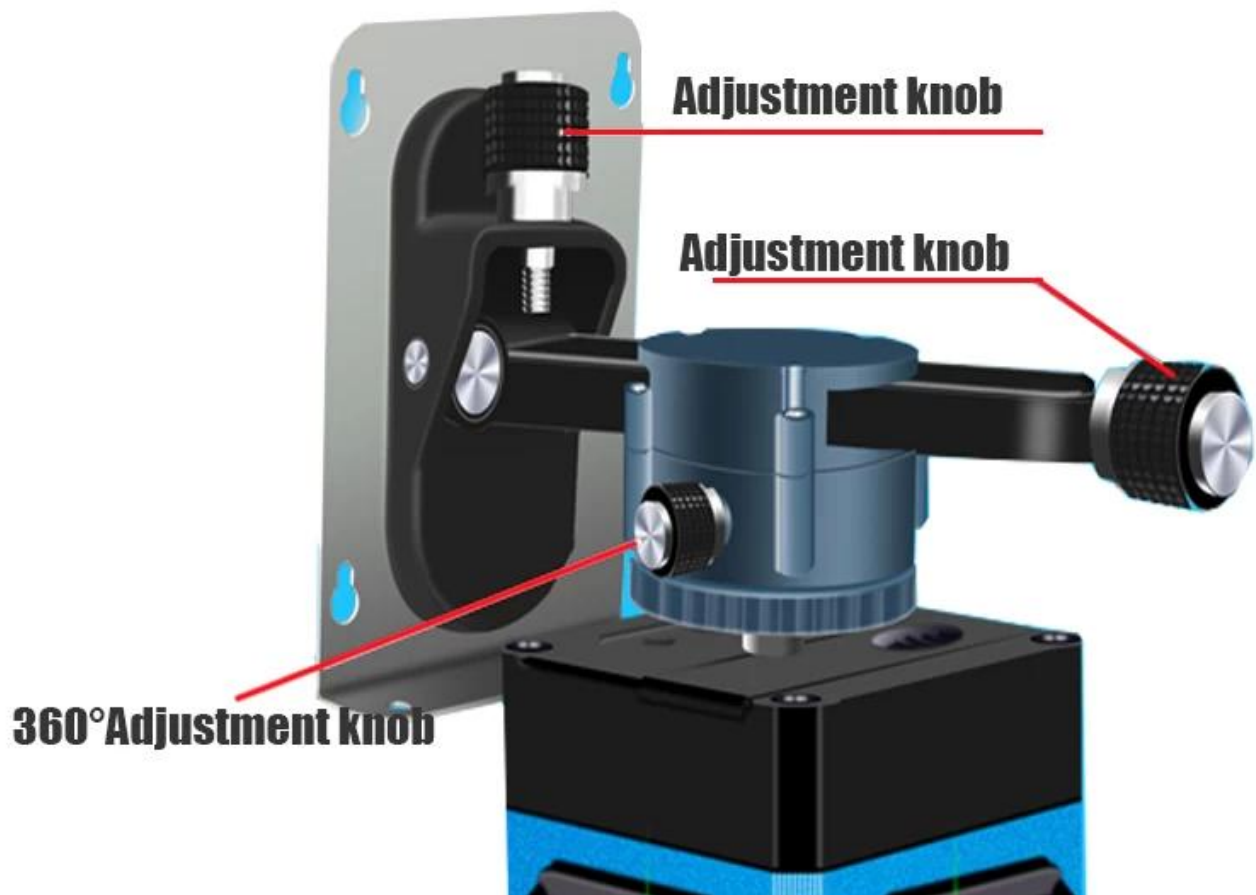
1/4 threaded interface

Vertical line
laser window

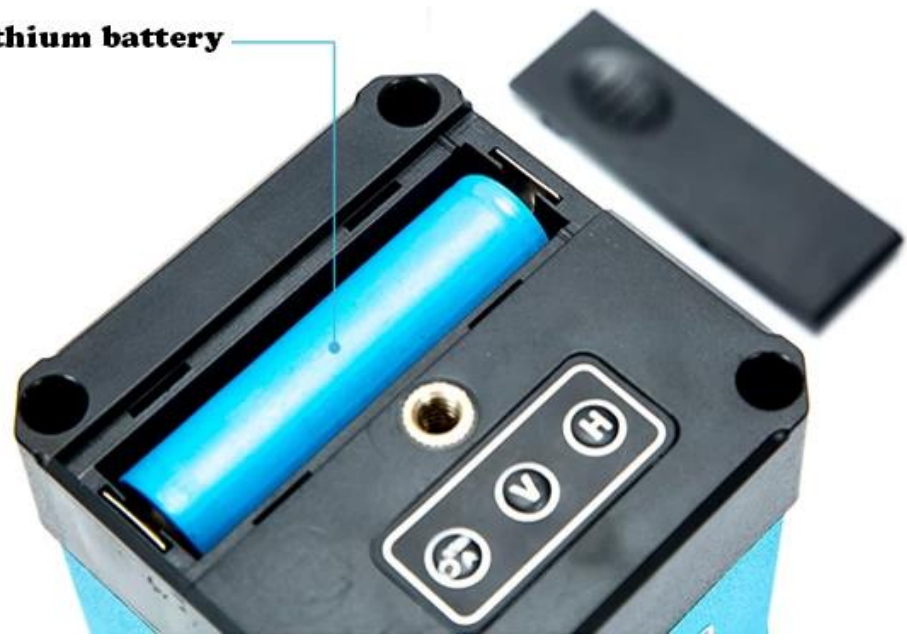
Vertical line
laser window

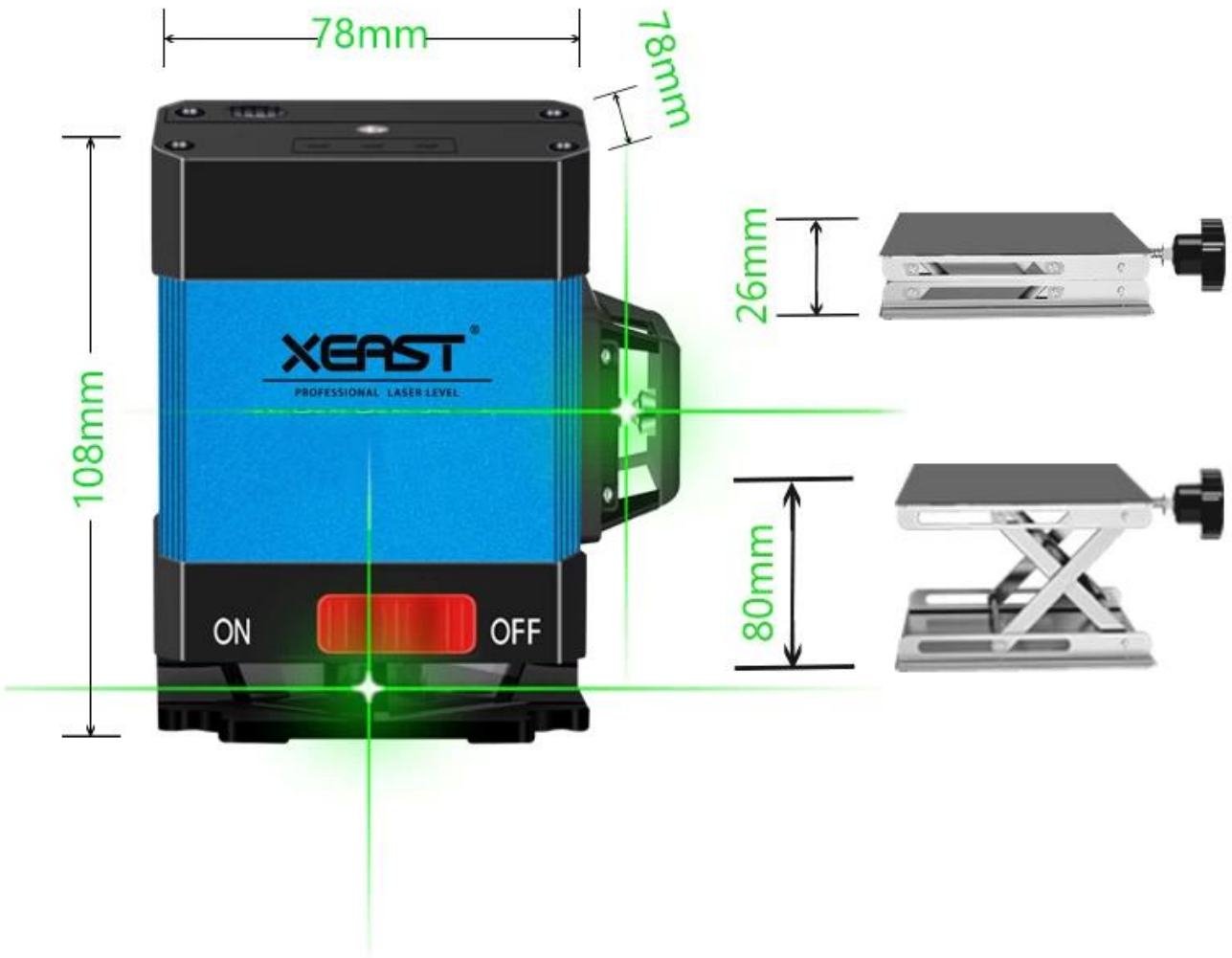
Horizontal line
laser window

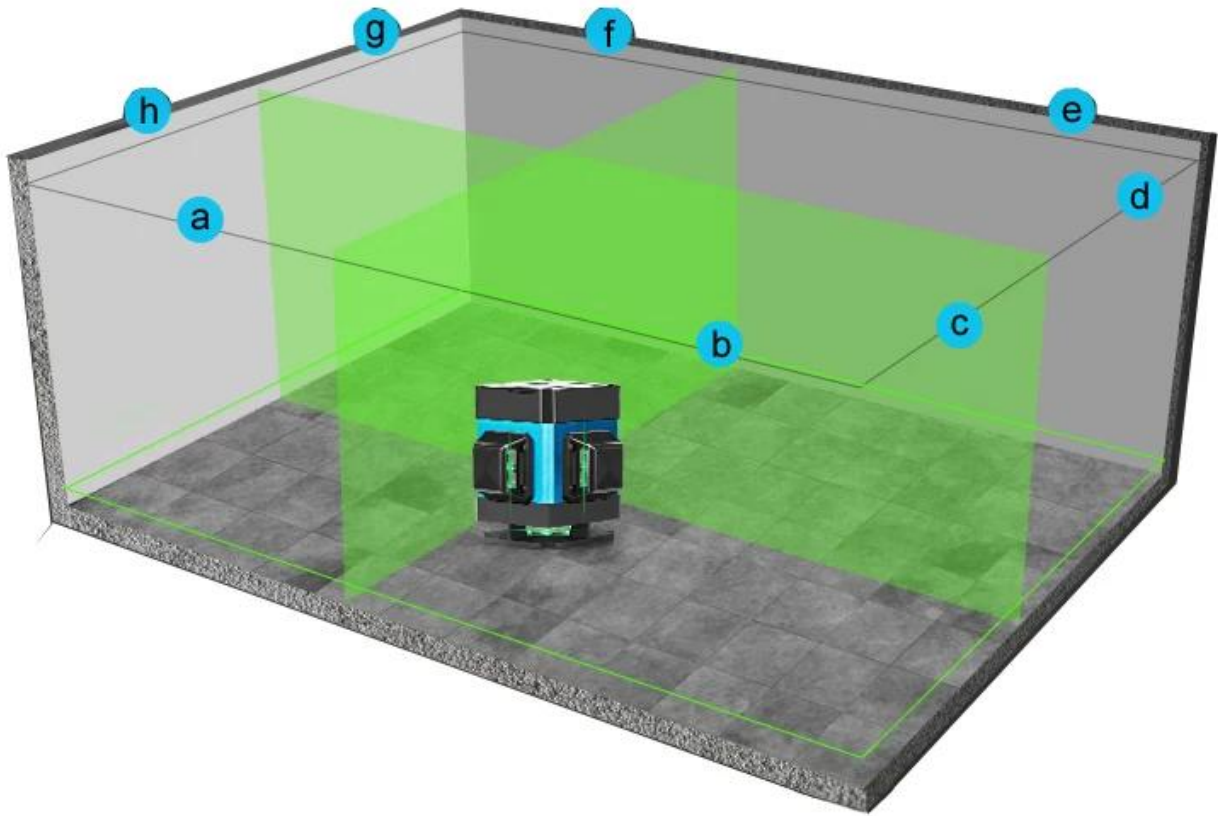


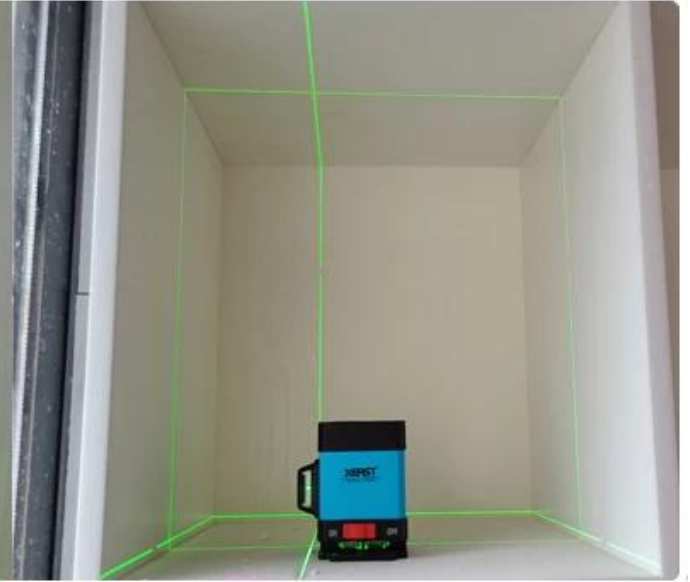
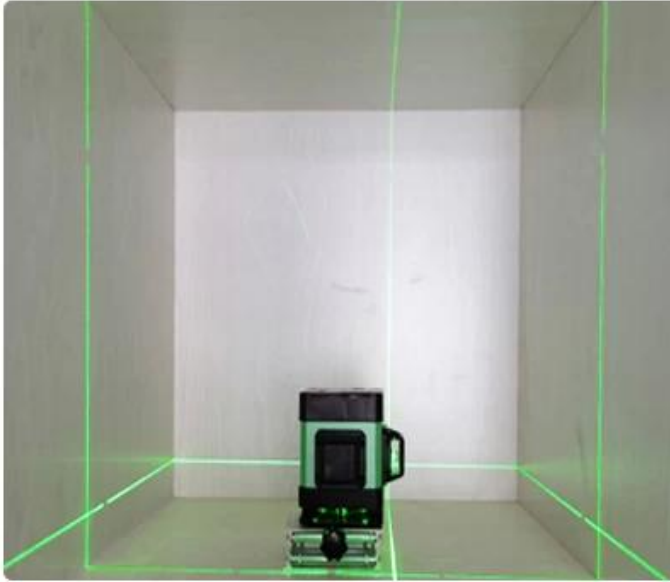
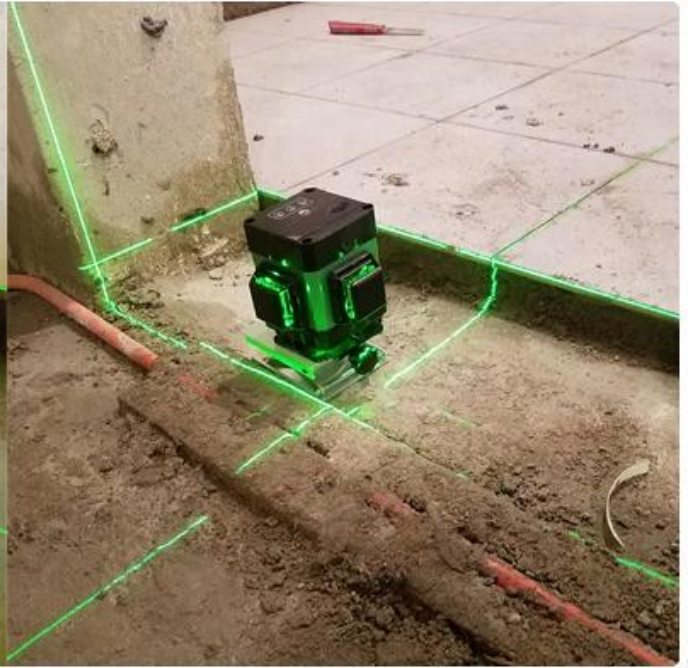
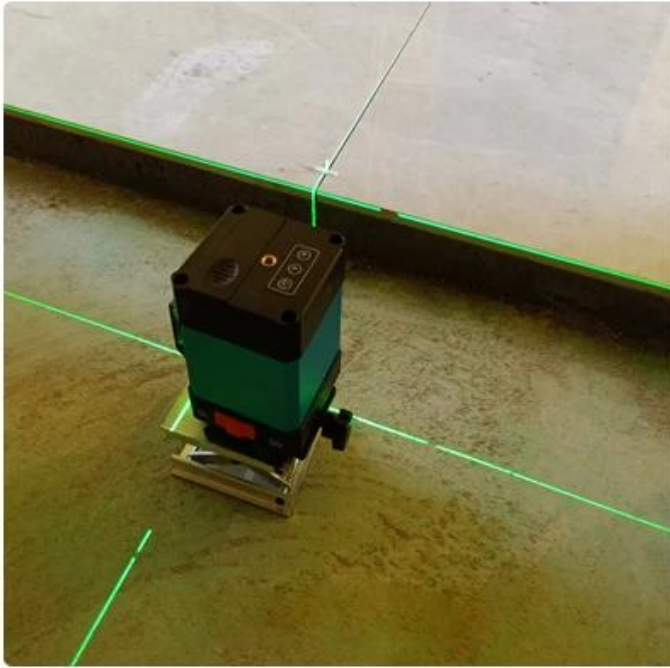


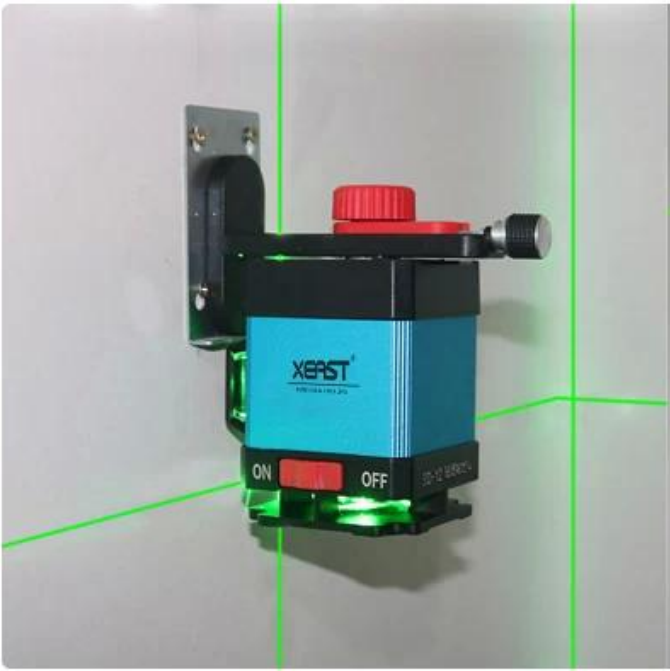
18650 Lithium battery

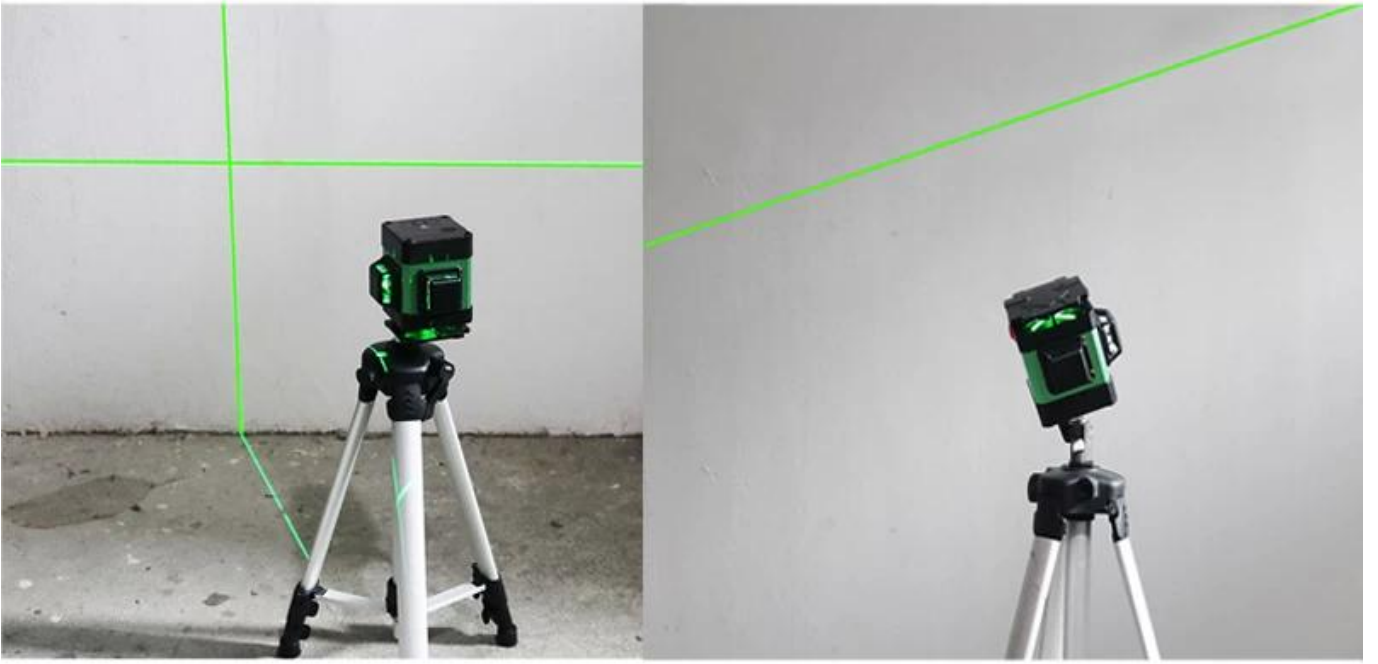






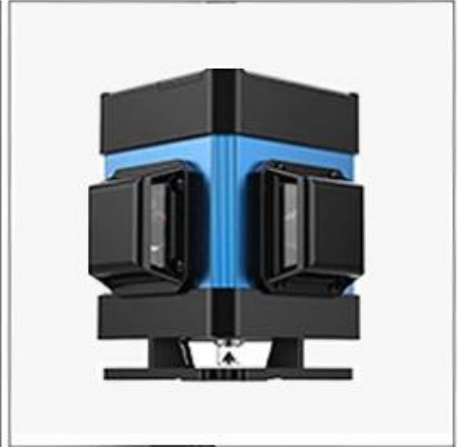






● **PACKAGE INCLUDE**

XEAST[®]



● **TERMS OF TRADE**



1. We accept payment by T/T / C/Paypal/MoneyGram

2. We offer 30 days warranty for all our products

3. We offer 70 days warranty for all our products

4. We offer 100% satisfaction guarantee for all our products

5. We offer DHL/TNT/UPS/EMS/SPSR/139

6. We offer LCL/FCL for all our products

● **COMPANY INFORMATION**





SALES TEAM



WOKRSHOP

