

4±1mm  
mm  
mm

IP54 -  
mm  
mm

**mm mm**

XE-903  
510nm-530nm  
IP54  
±3mm / 10m  
90°±30 "  
4°±1°  
2mm / 10m  
40m-50m

EU  
  
6  
II  
  
-10°C+ 50°C  
-20°C+ 70°C

**mm mm**

PWM 1:1  
10KHz PWM LR-6RG  
LED  
±1.5mm ±1/17  
20 mm 4/5 In  
20 mm 4/5 In  
50-200  
70  
8  
1 \* 9V  
-10°C+ 50°C  
-25°C+ 70°C  
L×W×H 140.5 mm×60 mm×35 mm 5.5 x 2.5 x 1.5









laser window •  
on-off key/pulse-function button •



• battery charge interface

1/4 thread interface •  
Battery compartment •  
lithium battery •







*Slower  
beeping  
tone  
signals*



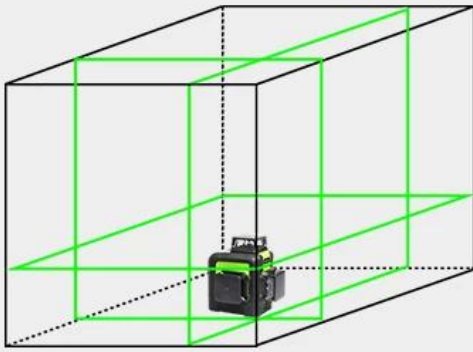
*Fast  
beeping  
tone  
signals*



*Beeping  
tone  
signals*



## self-leveling mode



Self-level Available



Within 4 Degree

$\leq \pm 4^\circ$



Pendulum Unlocked



## manual mode



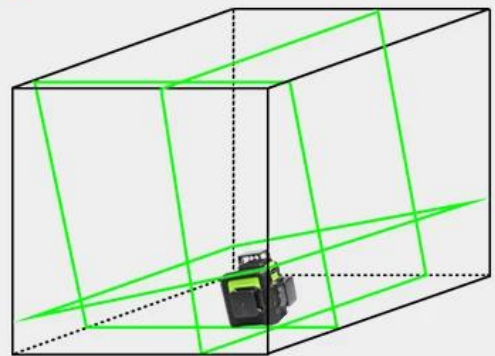
Maintain The 90° Angles



Blinks Every 3 Seconds

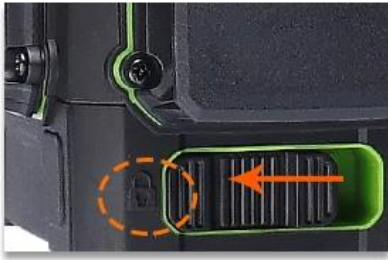


Pendulum Locked



## POWER ON

Short press the power key or slide locking switch to turn the laser tool ON.



**OFF**

Lock the pendulum before short press the power button to turn the laser tool OFF.

1: After power on, short press the power switch once a time, the laser tool will project horizontal line, vertical line and cross line in turn.

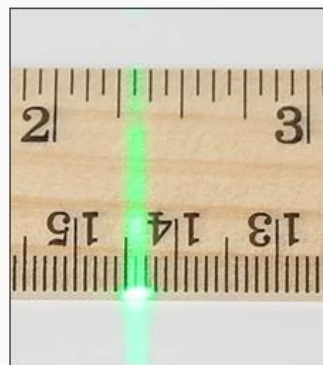
2: After power on, long press the power key, when the blue light is on, the pulse mode is on.



## GERMANY OSRAM GREEN LASER TECHNOLOGY



More brighter to ordinary green beam and red beam



Germany osram green beam

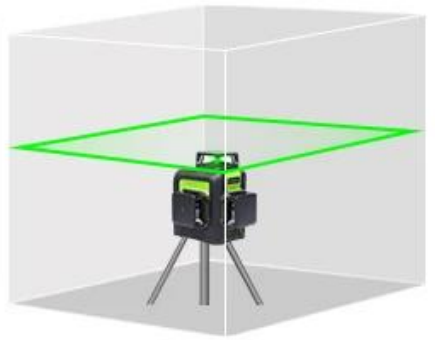
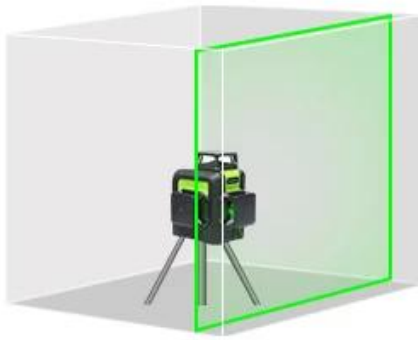
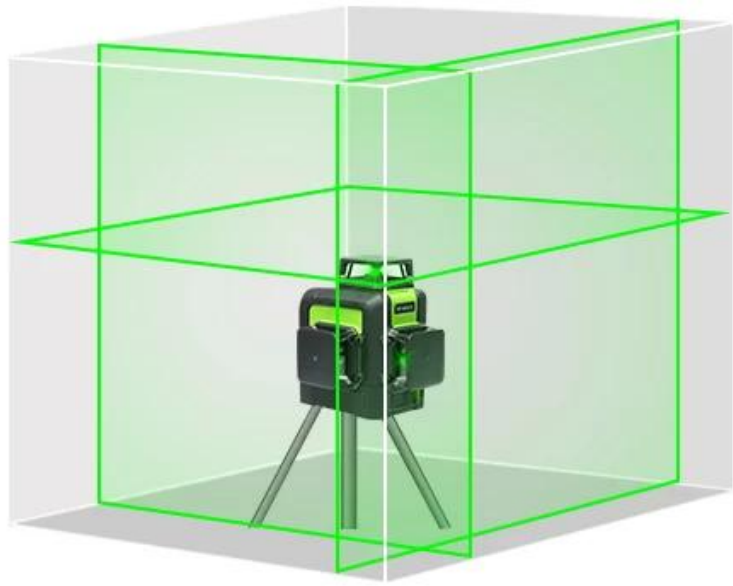
ordinary green beam

ordinary red beam

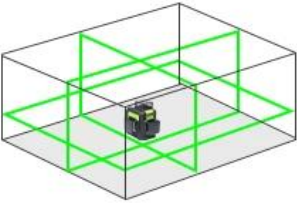
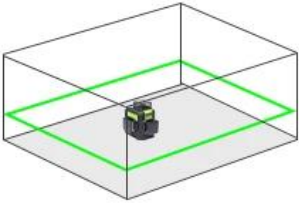
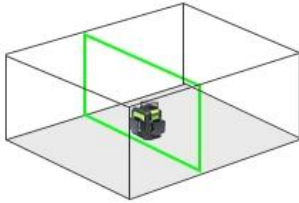
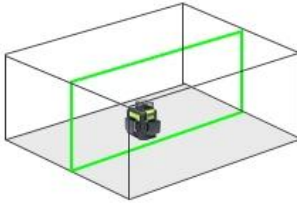
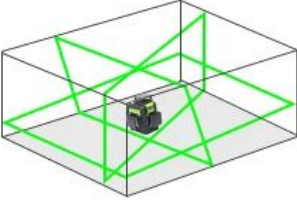
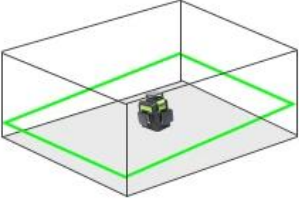
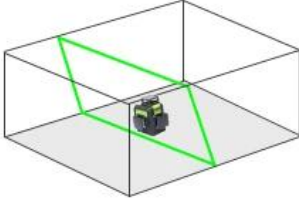
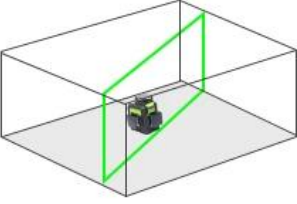
## VARIOUS KINDS OF FIXING METHOD



Tripod need to buy saperately.



# Three line switching function

Horizontal and vertical lines	Horizontal	vertical lines	vertical lines
			
Horizontal and vertical lines	Horizontal	vertical lines	vertical lines
			





● PACKAGE INCLUDE

**XEAST**<sup>®</sup>



**TERMS OF TRADE**

1. Payment methods: T / T / C / Paypal / MoneyGram
2. Delivery methods: DHL / TNT / UPS / EMS / SPSR / 139 / LCL / FCL
3. ...

**COMPANY INFORMATIONS**



**SALES TEAM**



**WOKRSHOP**

