

□□ □□□ □□ 4 ± 1□

□□□ □□ □□ □□□

Ultra Bright Laser Beams□ □□ □□□ □□□□□□□ □□□□□□.

IP54 - □□ □ □□

□□□□ □□ □□□ □ □□□ □□

□□ □□ □□□□□□ □□□ □□□□□□

□□□□ □□ □□ □□ :

XE-903 □□□ □□ :

□□□ □□ : 510nm ~ 530nm

□□ □□ : IP54

□□ □□□ : ± 3mm / 10m

□□□ □□□ : 90 ° ± 30 "

□□ □□ □□ : 4 ° ± 1 °

□□ : 2mm / 10m.

□□ □□ (□□) : 40m, □□□ □□□□ □□ 50m

□□ □□: EU □□□

□□ □□ : □□ □□

□□ □□ : □□ □□□ □□ □□ 6 □□

□□□ □□ : II

□□□ □□ : □

□□ □□ □□ : -10 ° C - + 50 ° C

□□ □□ □□ : -20 ° C - + 70 ° C

□□□□ □□□□ □□ :

PWM : 1 : 1

□□□ : 10KHz (□□□□ PWM □ □□□, □□ □□□□ LR-6RG □□□ □□□□ □□ □□ □ □ □□)

□□□□□ : 3□ LED □□□ □□□□□

□□ □□ □□□ : ± 1.5mm (± 1 / 17 □□)

□□□ □□ □ □□ : 20mm (4/5 □□)

□□□ □□ □ □□ : 20mm (4/5 □□)

□□ □□ : 50m (200ft)

□□ □□ : 70 □□

□□ □□ □□ : (□□ □ □□ □□) 8 □

□□ : 1 * 9V □□□

□□ □□ □□ : -10 ° C ~ + 50 ° C

□□ □□ □□ : -25 ° C ~ + 70 ° C

□□ (LxWxH) : 140.5mm × 60mm × 35mm (5.5 x 2.5 x 1.5 □□)

□□ : 143g

● **PRODUCT PICTURES**

XEAST®

 **XEAST®**









laser window •
on-off key/pulse-function button •



• battery charge interface

1/4 thread interface •
Battery compartment •
lithium battery •







*Slower
beeping
tone
signals*

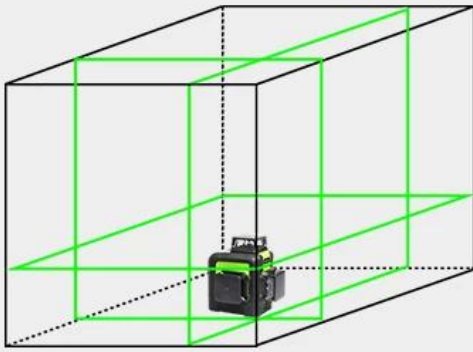


*Fast
beeping
tone
signals*



*Beeping
tone
signals*

self-leveling mode



Self-level Available



Within 4 Degree

$\leq \pm 4^\circ$



Pendulum Unlocked



Maintain The 90° Angles

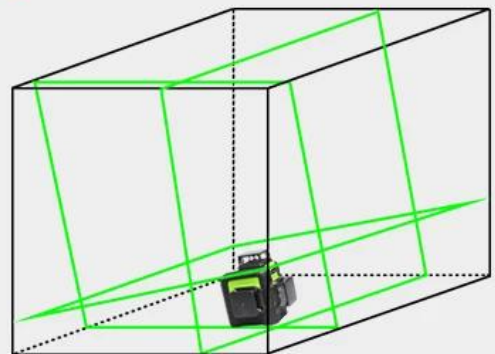


Blinks Every 3 Seconds



Pendulum Locked

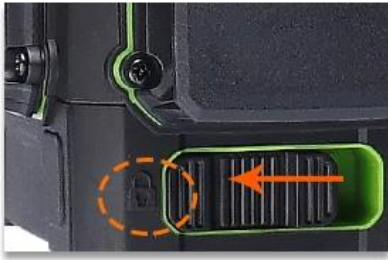
manual mode



POWER ON

Short press the power key or slide locking switch to turn the laser tool ON.





OFF

Lock the pendulum before short press the power button to turn the laser tool OFF.

1: After power on, short press the power switch once a time, the laser tool will project horizontal line, vertical line and cross line in turn.

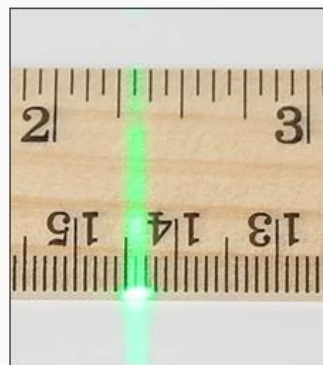
2: After power on, long press the power key, when the blue light is on, the pulse mode is on.



GERMANY OSRAM GREEN LASER TECHNOLOGY



More brighter to ordinary green beam and red beam



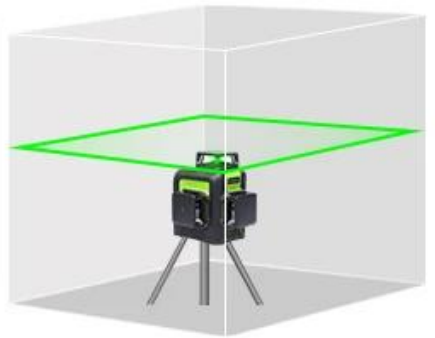
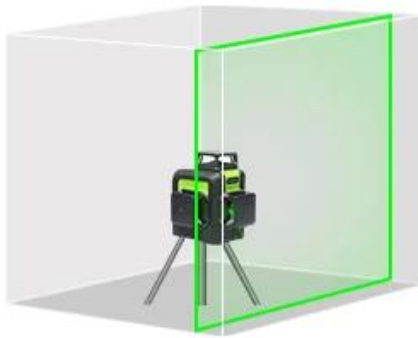
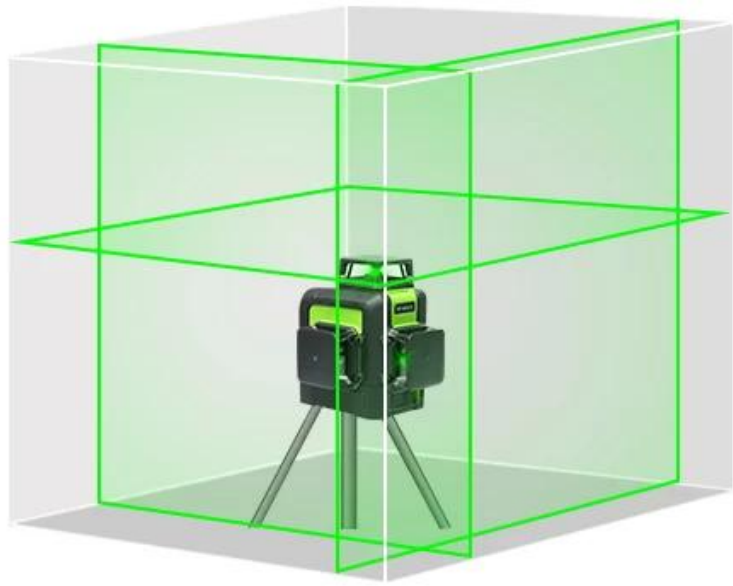
Germany osram green beam

ordinary green beam

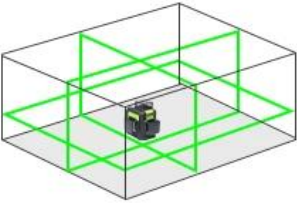
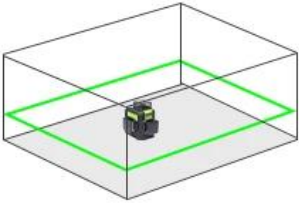
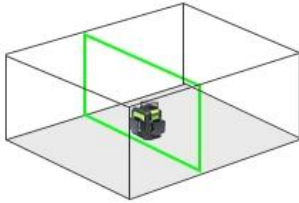
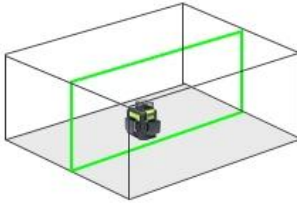
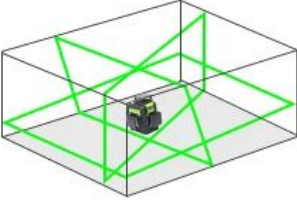
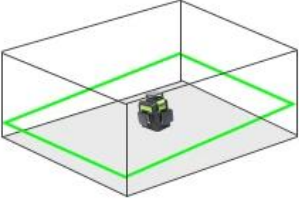
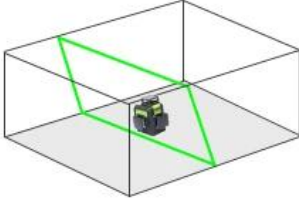
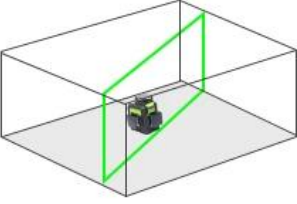
ordinary red beam

VARIOUS KINDS OF FIXING METHOD





Three line switching function

Horizontal and vertical lines	Horizontal	vertical lines	vertical lines
			
Horizontal and vertical lines	Horizontal	vertical lines	vertical lines
			



***Please turn on
Pulse Mode of the
Laser level
before using
the reciever***



● PACKAGE INCLUDE

XEAST[®]



TERMS OF TRADE

- 1). 付款方式 : 电汇 T / T, L / C, Paypal, MoneyGram 或 Western Union 均可。
 订金 30 % 发货前 70 % 付清。
- 2). 付款方式 :
 我们接受电汇 或 支票 或 信用卡 或 支付宝 或 微信支付。 我们提供多种物流方式 (DHL, TNT, UPS, 顺丰速运, EMS, SPSR, 139 快递 等), LCL, FCL
- 3). 我们提供多种语言版本, 我们提供多种语言版本 或 多种语言 或 多种语言 或 多种语言 或 多种语言。

COMPANY INFORMATIONS



SALES TEAM



WOKRSHOP

