
● **SPECIFICATION**

XEAST[®]

Laser Class: Class 2 (IEC/EN60825-1/2014), <1mW power output

Laser Wavelength: 505-520nm

Horizontal/Vertical Accuracy: $\pm 3\text{mm}/10\text{m}$

Leveling/Compensation Range: $\pm 4^\circ$

Working Distance (Line): 25m, Line with detector: Up to 50m

Operating Time with lithium battery: 7 hours with all laser beams on

Operating Time with AA batteries: 2 hours with all laser beams on

Power Source: Li-ion battery & 4 × "AA" (LR6) batteries

IP Rating: IP54

Operation Temperature Range: 14°F ~ 113°F (-10°C ~ 45°C)

Mount Size: 1/4"-20 and 5/8"-11

● **PRODUCT PICTURES**

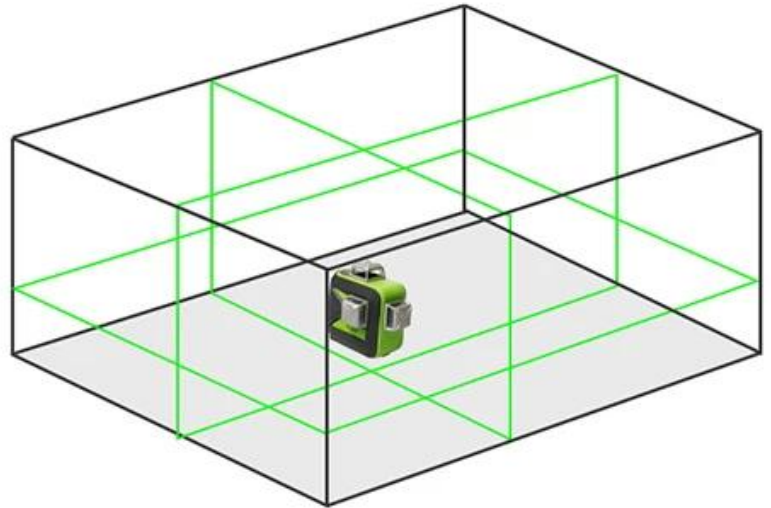
XEAST[®]

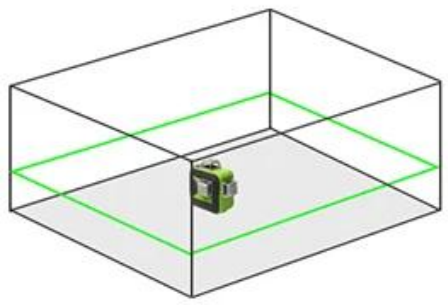
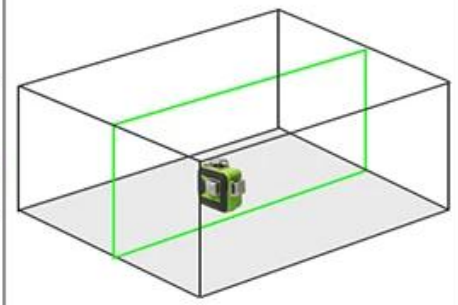
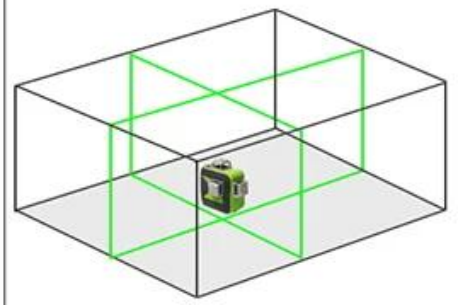
 XEAST®



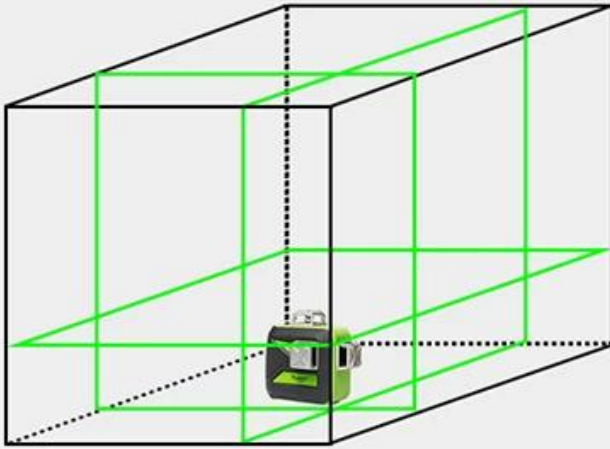


SWITCH LINE MODE



Horizontal Line	Vertical Line	Two Vertical Lines
		

self-leveling mode



Maintain The 90° Angles



Blinks Every 3 Seconds



Pendulum Locked



Self-level Available

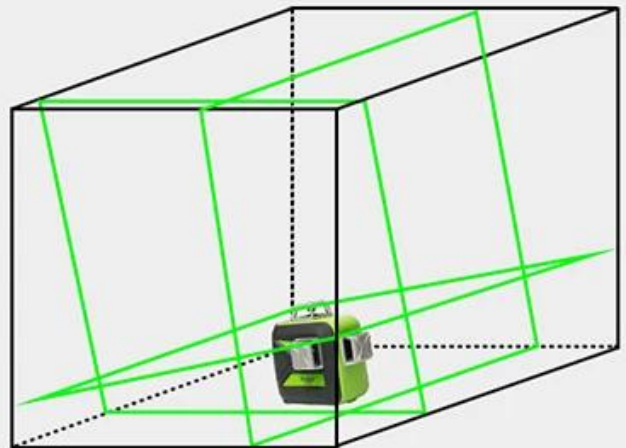


Within 4 Degree

$\leq \pm 4^\circ$



Pendulum Unlocked



manual mode

Inc. AA Battery Holder

✓ use with AA Battery



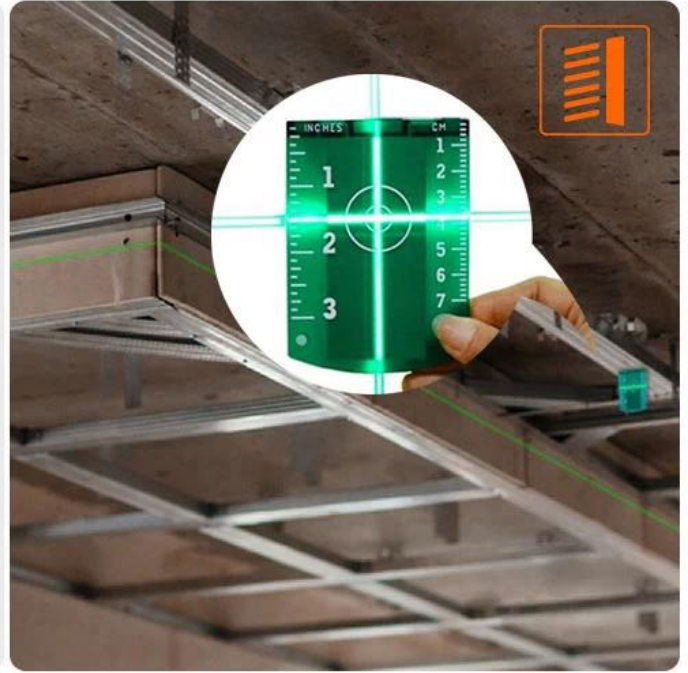
Inc. 2600mA Universal Li-ion Battery

✓ use with lithium battery

Inc. A Power Charger

✓ work when direct input charging







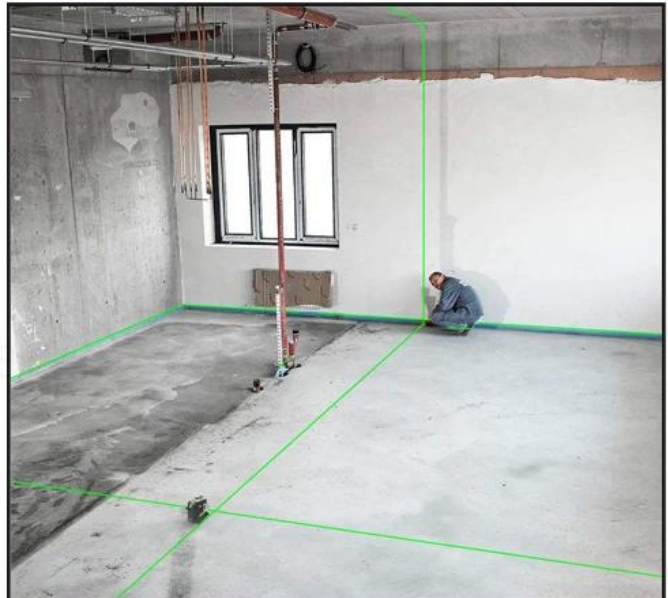
360° Horizontal Line



360° Vertical Line



Two 360° Vertical Lines



360° Horizontal and 360° Vertical Lines



● PACKAGE INCLUDE

XEAST[®]



● TERMS OF TRADE

1). Terms of Payment: We accept T/T, L/C, Paypal, MoneyGram and Western Union. 30% deposit and other 70% balance before shipment.

2). Terms of Shipping:

It depends on clients order quantity and your special request. We often adopt Express (DHL, TNT, UPS, FEDEX, EMS, SPSR, 139 express and so on), LCL, FCL

3). Items will be carefully checked before shipment, and we will update the delivery status timely after the goods are sent out.

● COMPANY INFORMATIONS



SALES TEAM



WOKRSHOP

