

● SPECIFICATION

XEAST®

Laser Class: Class 2 (IEC/EN60825-1/2014), output power <1mW
Laser Wavelength: 635nm\510nm
Leveling Accuracy: $\pm 3\text{mm}/10\text{m}$
Up Plumb Accuracy: $\pm 2\text{mm}/10\text{m}$
Down Plumb Accuracy: $\pm 3\text{mm}/10\text{m}$
Leveling Time: 3s
Spread Coverage: H110°/ V180°
Leveling/Compensation Range: $4^\circ \pm 1^\circ$
Working Distance (Dot/Line): **25m/15m**,\50m/20m
Power Operating Time: Normally 12 hours
Source: 2× AA Batteries , >1500mA (not included)
IP Rating: IP54, waterproof, dustproof and shockproof, reliable and tough
Operation Temperature Range: -10°C - 50°C
Storage Temperature Range: -20°C - 70°C
Size: 9.3x6.4x8cm (3.7"x2.5"x3.1")

● PRODUCT PICTURES

XEAST®





VARIOUS KINDS OF FIXING METHOD





POWER ON

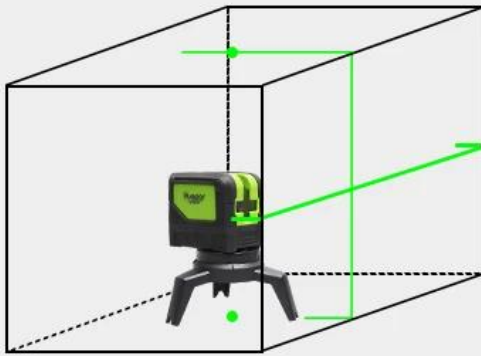
Short press the power key or slide locking switch to turn the laser tool ON.

OFF

Lock the pendulum before short press the power button to turn the laser tool OFF.



self-leveling mode



Self-level Available



Within 4 Degree

$\leq \pm 4^\circ$



Pendulum Unlocked

manual mode



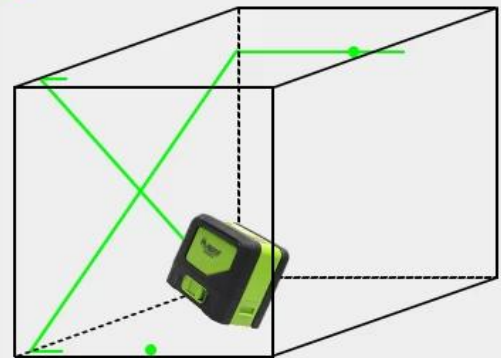
Maintain The 90° Angles



Blinks Every 3 Seconds



Pendulum Locked







● **PACKAGE INCLUDE**

XEAST®



● TERMS OF TRADE



1). Terms of Payment: We accept T/T, L/C, Paypal, MoneyGram and Western Union. 30% deposit and other 70% balance before shipment.

2). Terms of Shipping:

It depends on clients order quantity and your special request. We often adopt Express (DHL, TNT, UPS, FEDEX, EMS, SPSR, 139 express and so on), LCL, FCL

3). Items will be carefully checked before shipment, and we will update the delivery status timely after the goods are sent out

● COMPANY INFORMATIONS





SALES TEAM



WOKRSHOP

