

4 ± 1 mm
 Ultra Bright
 IP54 -

510nm ~ 530nm
 IP54

Specifications:

- Model: XE-903
- Wavelength: 510nm ~ 530nm
- IP Rating: IP54
- Beam Diameter: ± 3 mm / 10"
- Beam Angle: 90 ° ± 30 "
- Beam Spread: 4 ° ± 1 °
- Beam Length: 2 mm / 10"
- Beam Diameter (at 50m): 40 mm. Beam Diameter 50 mm. Beam Length 50m
- Beam Color: **Red**
- Beam Power: **100mW**
- Beam Class: 6
- Beam Class: II
- Beam Class: **III**
- Operating Temperature: -10 ° c - + 50 ° c
- Storage Temperature: -20 ° c - + 70 ° c

Specifications:

- PWM: 1: 1
- Frequency: 10KHz (Pulse Width Modulation, LR-6RG)
- Light Source: LED
- Beam Diameter: ± 1.5 mm. (± 1/17")
- Beam Length: 20mm (4/5 In.)
- Beam Length: 20mm (4/5 In.)
- Beam Length: 50m (200ft)
- Beam Length: 70
- Beam Length: (Beam Length) 8
- Beam Length: 1 * 9V
- Operating Temperature: -10 ° C ~ + 50 ° C
- Storage Temperature: -25 ° C ~ + 70 ° C

□□□□ (□□□ x □□□□□ x □□□): 140.5 □□. × 60 □□. × 35 □□. (5.5 x 2.5 x 1.5 □□□□)
□□□□□□□: 143 □□□□

● **PRODUCT PICTURES**

XEAST®









laser window •
on-off key/pulse-function button •



• battery charge interface

1/4 thread interface •
Battery compartment •
lithium battery •





*Slower
beeping
tone
signals*

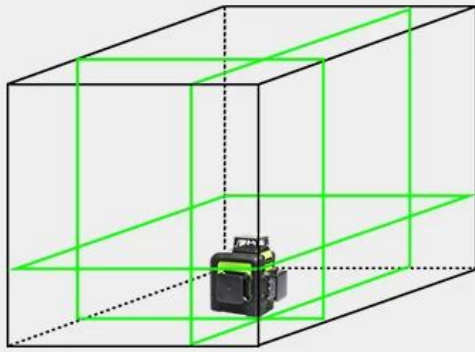


*Fast
beeping
tone
signals*



*Beeping
tone
signals*

self-leveling mode



Self-level Available



Within 4 Degree

$\leq \pm 4^\circ$



Pendulum Unlocked



Maintain The 90° Angles

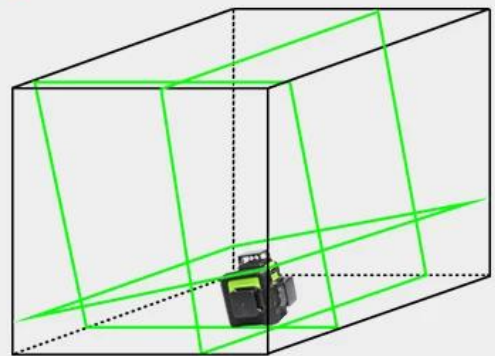


Blinks Every 3 Seconds



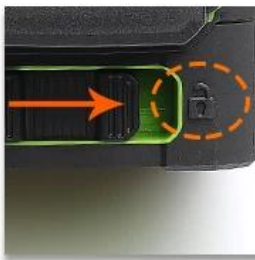
Pendulum Locked

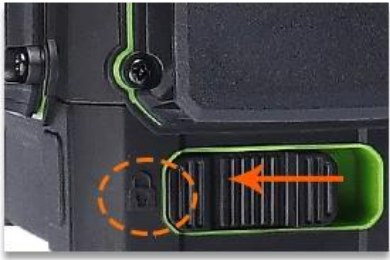
manual mode



POWER ON

Short press the power key or slide locking switch to turn the laser tool ON.





OFF

Lock the pendulum before short press the power button to turn the laser tool OFF.

1: After power on, short press the power switch once a time, the laser tool will project horizontal line, vertical line and cross line in turn.

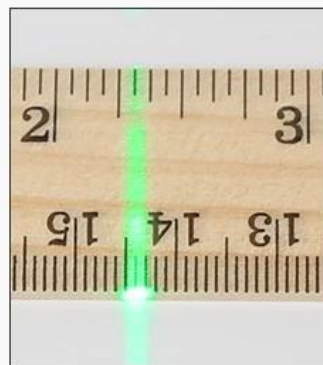
2: After power on, long press the power key, when the blue light is on, the pulse mode is on.



GERMANY OSRAM GREEN LASER TECHNOLOGY



More brighter to ordinary green beam and red beam



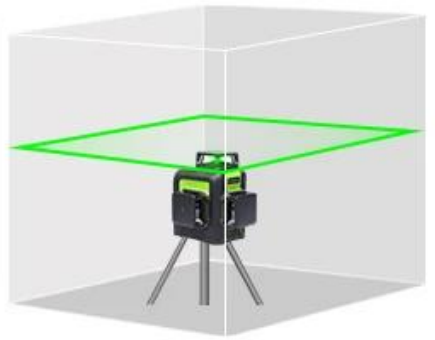
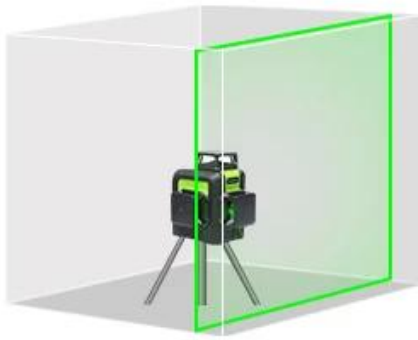
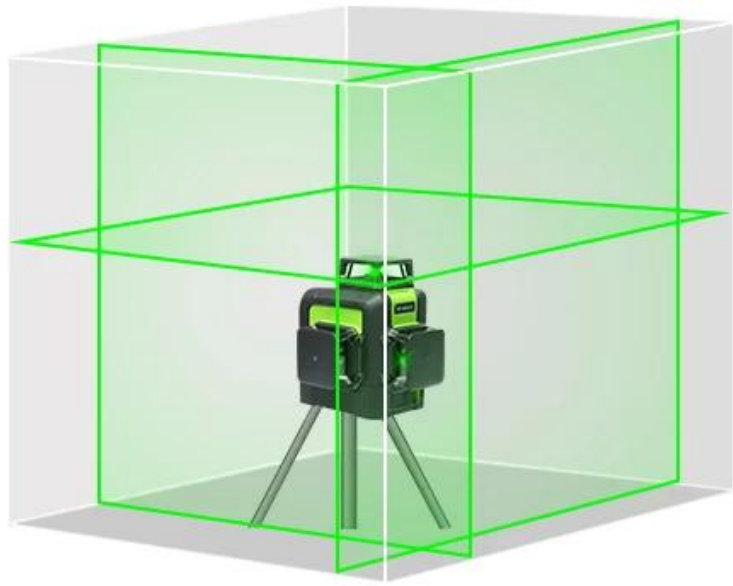
Germany osram green beam

ordinary green beam

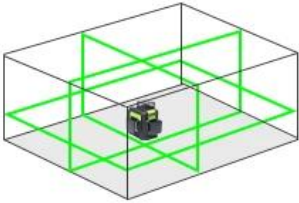
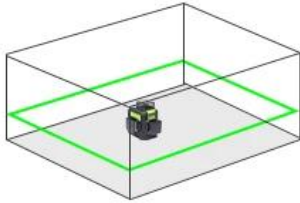
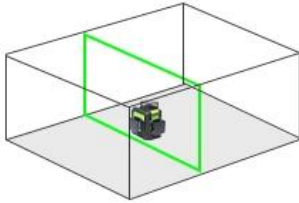
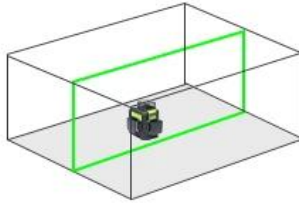
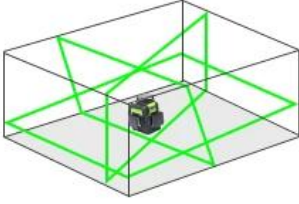
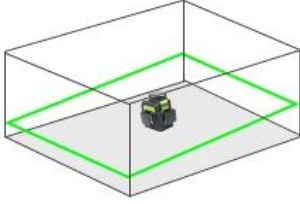
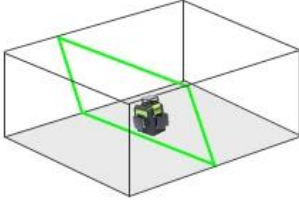
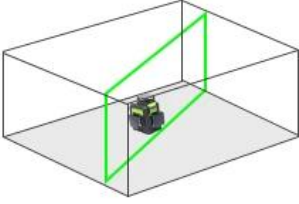
ordinary red beam

VARIOUS KINDS OF FIXING METHOD





Three line switching function

Horizontal and vertical lines	Horizontal	vertical lines	vertical lines
			
Horizontal and vertical lines	Horizontal	vertical lines	vertical lines
			



***Please turn on
Pulse Mode of the
Laser level
before using
the reciever***



● PACKAGE INCLUDE

XEAST®



● TERMS OF TRADE

- 1) 付款方式: T / T, L / C, Paypal, MoneyGram 30% 70%
- 2) 运输方式: oftern (DHL, TNT, UPS, FEDEX, EMS, SPSR, 139) LCL, FCL
- 3) 售后服务:

● COMPANY INFORMATIONS



SALES TEAM



WOKRSHOP

